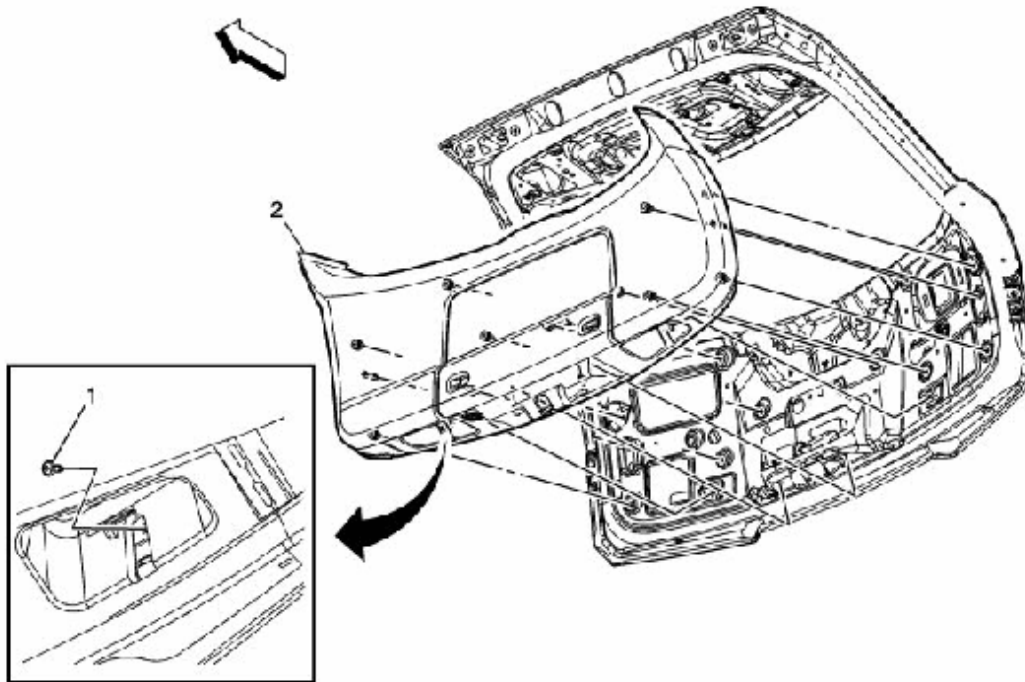


Liftgate Upper Trim Finish Panel Replacement



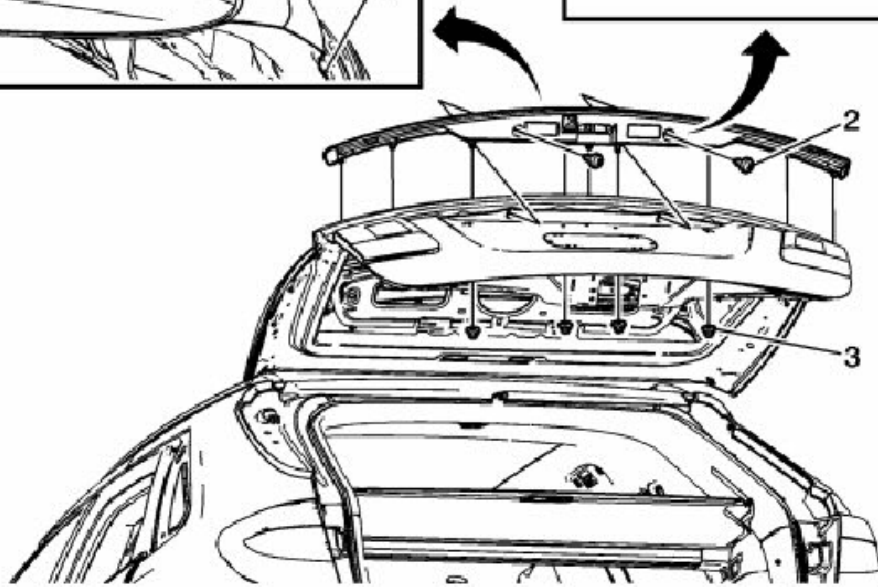
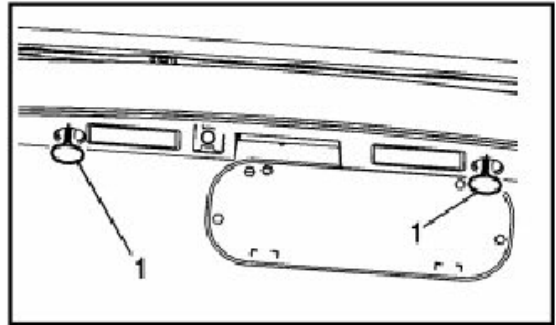
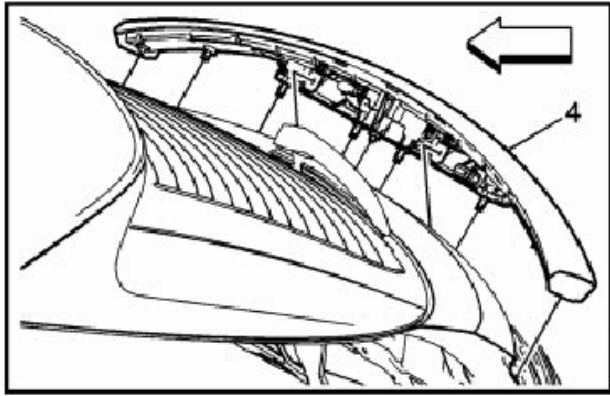
Callout	Component Name
<p>Preliminary Procedures</p> <ol style="list-style-type: none"> 1. Remove the liftgate lower trim panel. Refer to Liftgate Lower Trim Finish Panel Replacement . 2. Remove upper and lower together. Separate after removal, if necessary. 3. Pull outward to disengage the trim panel retainers. 	
1	Liftgate Upper Trim Finish Panel Assembly
2	Liftgate Trim Finish Panel Assembly (Qty: 2)



Liftgate Lower Trim Finish Panel Replacement




Callout	Component Name
<p>Preliminary Procedures</p> <ol style="list-style-type: none"> 1. Remove the liftgate upper trim panel. Refer to Liftgate Upper Trim Finish Panel Replacement . 2. Remove upper and lower together. Separate after removal, if necessary. 3. Pull outward to disengage the trim panel retainers. 	
1	Liftgate Lower Trim Finish Panel Fastener Refer to Fastener Caution .
2	<p>Liftgate Lower Trim Finish Panel Assembly</p> <p>Procedure</p> <ol style="list-style-type: none"> 1. Use a trim panel removal tool to aid in the removal of the trim panel from the liftgate assembly. 2. Disconnect the electrical connector, if equipped.



Liftgate Center Applique Replacement



Callout	Component Name
<p>Preliminary Procedures</p> <ol style="list-style-type: none"> Remove the liftgate lower trim panel. Refer to Liftgate Lower Trim Finish Panel Replacement . <div data-bbox="196 436 824 699" style="border: 2px solid red; padding: 10px;">  <p>Warning</p> <p>When working with any type of glass or sheet metal with exposed or rough edges, wear approved safety glasses and gloves in order to reduce the chance of personal injury.</p> </div> <p>Disconnect the electrical harness to the liftgate center applique.</p>	
<p>1</p>	<p>Liftgate Center Applique Screw Cover (Qty: 2)</p> <p>Procedure</p> <p>Using a small flat-bladed tool, release the screw covers from the rear applique.</p>
<p>2</p>	<p>Liftgate Center Applique Screw (Qty: 2) Refer to Fastener Caution.</p>
<p>3</p>	<p>Liftgate Center Applique Nut (Qty: 4)</p> <p>Tighten</p> <p>4 Nm(35 lb in)</p>
<p>4</p>	<p>Liftgate Center Applique Assembly</p> <p>Procedure</p> <ol style="list-style-type: none"> Release the two retainers securing the liftgate center applique to the liftgate lower outer panel. Release the electrical harness grommet from the outer panel. Remove the liftgate center applique assembly. Transfer the rear license plate lamps. Transfer the liftgate release switch. Transfer the rearview camera, (if equipped). Refer to Rearview Camera Replacement.